

[Datasheet](#)[OP-RKP-STND](#)[OP-RKP-MULL](#)

AVIGILON™

Smart Keypad Readers

Expandable access control for the modern workplace



The Avigilon Smart Keypad Readers revolutionize PIN code access. Available in a Standard and Mullion form factor, Avigilon Smart Keypad Readers are designed for ease of use for both credentialed users and visitors. Built to last, the durable, capacitive touch keypad prevents spoofing, and the multi-technology, cloud-based device allows remote unlock and PIN-activated lockdown. Avigilon Smart Keypad Readers work seamlessly with the cloud-native Avigilon Alta Control Center providing visibility and management from anywhere.



Streamlined installation

Sleek form factor is easy to mount and install with standard electric wiring. Flexible mounting options to suit a variety of deployment needs, indoors and out.



Fast, reliable mobile unlocks

Patented Triple Unlock with Bluetooth, WiFi and cellular data ensures reliable unlocks, with mobile credential options like Wave to Unlock, and mobile or watch app.



Flexible access options

Built-in keypad for multi-factor authentication with a PIN combined with any number of credentials, including mobile, high-frequency and low-frequency keycards, fobs, and Cloud Key. Or, use the keypad to provide PIN code access for guests.



Protected and fail safe

Tamper resistant, and designed to withstand power failures and internet outages. Readers store no data, and encrypted end-to-end communication and strong public-key cryptography to keep everything protected.



Easy management and monitoring

Software runs in the cloud for easy, secure access and remote monitoring, without the need for local servers. Built-in diagnostics and real-time troubleshooting insights streamline management.



Lifetime limited warranty

Ensure peace of mind, knowing that Avigilon stands behind its access control hardware with a lifetime limited warranty, guaranteeing the quality of your security solution.

Specifications

COMPATIBILITY

Mobile Credential	Bluetooth LE NFC (Android only) Auto Proximity Unlock Wave to Unlock Supported on iOS and Android™ compatible devices
High-Frequency (13.56 MHz) Card and Fob*	Avigilon DESFire® EV3 Smart Card and Fob MIFARE Classic, DESFire, Ultralight (ISO14443A) CSN
Low-Frequency (125 kHz) Card and Fob	Avigilon Proximity Card and Fob HID® Proximity™, ProxCard®, LenelProx®

*The discontinued Avigilon MIFARE Classic 1K Fob, and Openpath EV1 and EV2 cards, are still compatible. The EV3-A card is still referred to as the Openpath DESFire EV3 Smart Card.

iOS is a trademark of Apple Inc. Android is a trademark of Google LLC.

GENERAL

LED Indicators	Reader power on or off, user access granted or denied, entry or door locked or unlocked, provisioning and connection status to access control system
Wiring	RS-485 to connect to Avigilon expansion boards and Wiegand inputs for third-party devices Pigtail Length: 12 in (305 mm)
Power	0.25A @ 12VDC 0.12A @ 24VDC

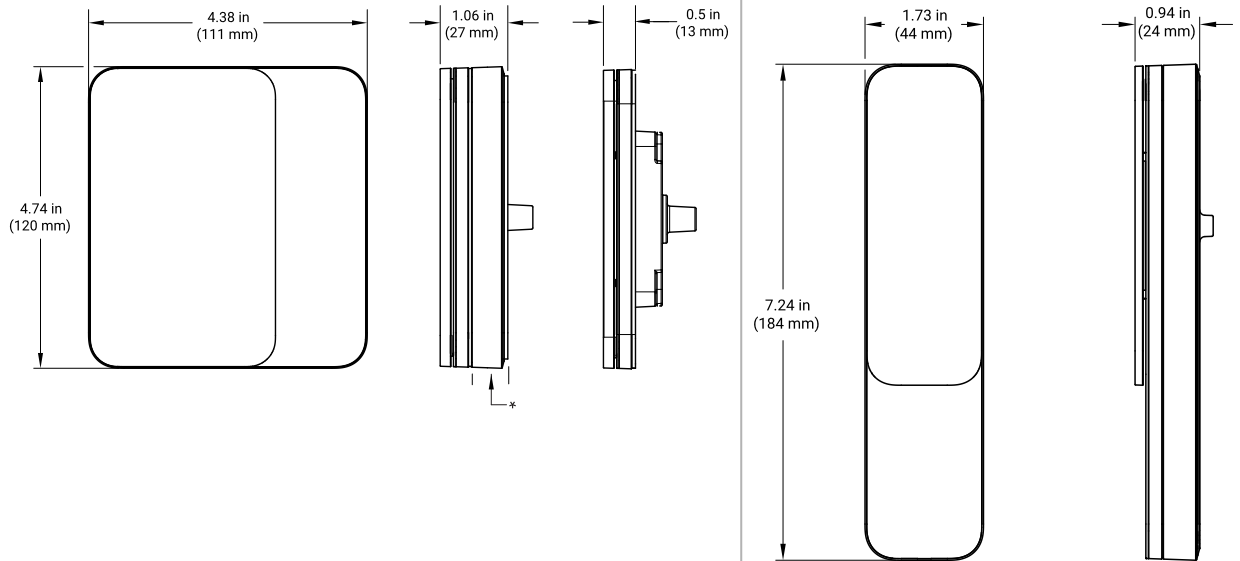
DIMENSIONS

OP-RKP-STND

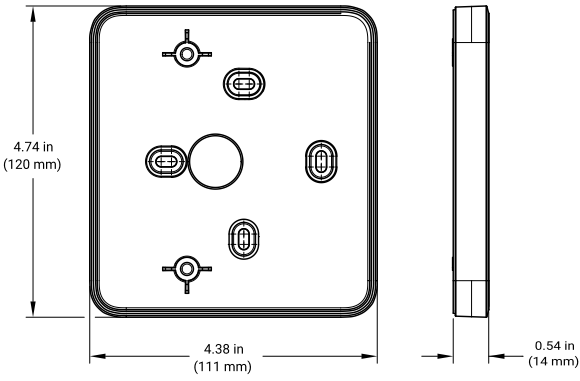
OP-RKP-MULL

Device Only

With surface mount bracket*



DIMENSIONS	OP-RKP-STND	OP-RKP-MULL
------------	-------------	-------------

Included Surface Bracket	<p>Surface mount on wall using the bracket and one of these options:</p> <ul style="list-style-type: none"> • Drywall • EU or UK single gang box 	None
--------------------------	---	------

Weight	0.685 lbs (311 g)	0.475 lbs (215 g)
--------	-------------------	-------------------

ENVIRONMENTAL

Temperature	Operating Temperature: -30°C (-22°F) to 60°C (140°F)
Humidity	Operating Humidity: 5% to 85% relative, non-condensing
IP Rating	Indoor and Outdoor: IP65 (IEC 60529)

Operating temperature must not be exceeded.

REGULATORY

Certifications	<p>FCC (United States), IC (Canada), CE (Europe), UKCA (United Kingdom), NOM (Mexico), BIS (India), RCM (Australia, New Zealand), ANATEL (Brazil), UL 294*, RoHS, CAN/ULC 60839-11-1</p> <p>*Performance Levels: Attack Level I, Endurance Level I, Line Security Level I, Standby Power Level I</p>
Compliance	NDAA, TAA

WARRANTY

Avigilon Alta Access Warranty	Lifetime limited; for more information, visit avigilon.com/support/warranty
-------------------------------	--



Ordering Information

PART NUMBER	DESCRIPTION
OP-RKP-MULL	AvigilonSmart Keypad Reader - Mullion Form Factor - Black
OP-RKP-STND	AvigilonSmart Keypad Reader - Standard Form Factor - Black

Support

For product support, visit: [avigilon.com](https://www.avigilon.com) or sales@avigilon.com

To learn more, visit:

[avigilon.com/access-control/keypad-reader-standard](https://www.avigilon.com/access-control/keypad-reader-standard) and [avigilon.com/access-control/keypad-reader-mullion](https://www.avigilon.com/access-control/keypad-reader-mullion)



AVIGILON

Motorola Solutions, Inc. 500 West Monroe Street, Chicago, IL 60661 U.S.A. [motorolasolutions.com](https://www.motorolasolutions.com)

© 2024, Avigilon Corporation. All rights reserved. MOTOROLA, MOTO, MOTOROLA SOLUTIONS and the Stylized M Logo are trademarks or registered trademarks of Motorola Trademark Holdings, LLC and are used under license. All other trademarks are the property of their respective owners.

20240708-en