

IP CAMERA INSTALLATION TOOL
PINPOINT™

Focus and adjust IP cameras with PINPOINT quickly and easily

PINPOINT makes POE IP camera installation easy by powering the camera from POE, yet it allows direct connection of a laptop or tablet for local image display

- | Allows local viewing of IP camera images on smartphone, tablet or laptop close to camera
- | Enables rapid and precise adjustment of lens focus and viewing angle
- | Uses Power over Ethernet from the network - no local power is required
- | Increases installation speed, efficiency, vastly reduces time on site
- | Low cost re-useable device - an essential tool
- | Installs in seconds – removes in seconds

PINPOINT is an essential part of any IP camera installer's toolkit

PINPOINT passes through POE to the camera, but re-directs the network to a local RJ45 port for local image display on a netbook or laptop.



Easy to Use

Veracity's PINPOINT adaptor allows IP video installers to easily set up and focus Power over Ethernet (POE) enabled IP cameras.

No temporary local power source for the camera is required, as PINPOINT enables the camera to draw its power from the installed POE network cabling, whilst re-directing the actual Ethernet network connection to a local laptop, netbook or even PDA.

The IP camera image and set-up parameters can be viewed on a browser (or specific camera software) running on the local computer device. With the camera image in close proximity to the camera itself, it allows precise adjustment of all of the variables with immediate feedback via

the actual camera image. This means that the lens field of view, focus and camera viewing angle/direction can be very rapidly optimised and locked in position.

Connects in Seconds

A flying lead connection to the camera and a clear connection diagram means PINPOINT insertion can be done in seconds. PINPOINT features integrated network crossover, so a standard network cable can be used to link the laptop or netbook.

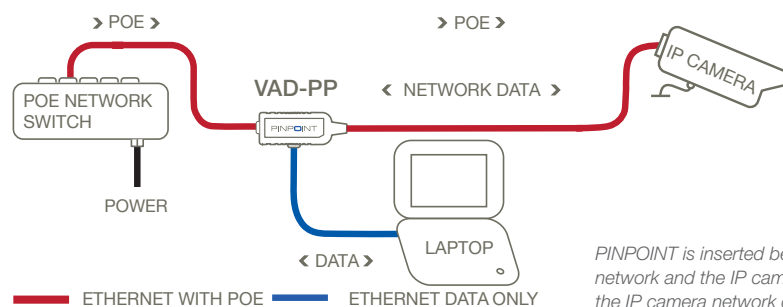
A "POE Enabled" LED provides visual confirmation that the camera is receiving power. Veracity's PINPOINT is compatible with standard POE, and also most POE Plus and non-standard POE up to 30 watts.

PINPOINT is So Compact. It Fits in Your Pocket

PINPOINT is very compact in size and is of a tough moulded construction, ideal for stowing in a toolbox, pocket or engineer's laptop bag.

PINPOINT is designed for temporary installation during setup of IP cameras. Whilst PINPOINT is in place, the camera network connection is redirected to the local network port, and there will be no network connection to the main network. Connection to the main network is restored immediately when setup is complete and PINPOINT is extracted.

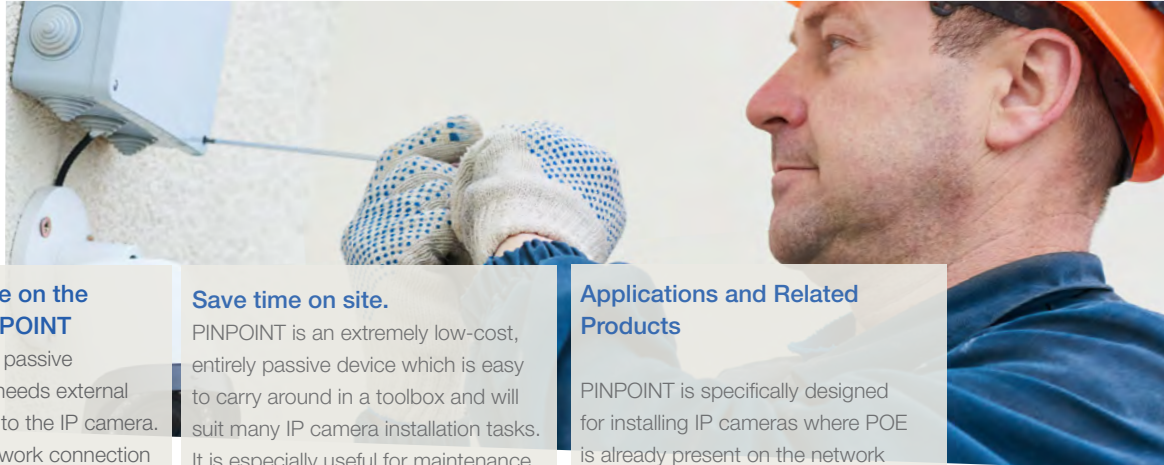
IP CAMERA INSTALLATION TOOL APPLICATION DIAGRAM



PINPOINT is inserted between the POE network and the IP camera, diverting the IP camera network connection to the local PINPOINT RJ45 port for a laptop connection.

Should I use PINPOINT or POINTSOURCE ?

Choosing between PINPOINT and POINTSOURCE is simple



If POE is Available on the Network, Use PINPOINT

PINPOINT provides a passive connection only and needs external POE to pass through to the IP camera. Typically the main network connection will have POE available, allowing the use of the simpler PINPOINT tool.

If no POE is Available on the Network, Use POINTSOURCE

POINTSOURCE incorporates a battery powered POE injection stage and allows set up of IP cameras when there is no POE available, or when the network has not yet been installed or configured.

Save time on site.

PINPOINT is an extremely low-cost, entirely passive device which is easy to carry around in a toolbox and will suit many IP camera installation tasks. It is especially useful for maintenance tasks, where the cameras are already powered by POE but may require some focus adjustment or changes to viewing direction.

In contrast, POINTSOURCE includes the POE source, so can be used in any situation, whether POE is present or not, as it can independently power the camera during installation, maintenance or even for demonstration purposes.

Applications and Related Products

PINPOINT is specifically designed for installing IP cameras where POE is already present on the network cabling and requires POE power to pass through to the IP camera. If POE is not yet available (i.e. the POE has not been switched on or the central POE switch or midspan injectors have not yet been installed), then Veracity's POINTSOURCE Battery-Powered POE Injector should be used instead of PINPOINT.

POINTSOURCE provides POE out to the IP camera and includes a second network data connection point for the laptop or netbook and so a PINPOINT is not required when using POINTSOURCE.

INSTALLATION TOOLS	POE POWERED	BATTERY POWERED
▶ Wired	PINPOINT™	POINTSOURCE Plus™
▶ Wireless	PINPOINT Wireless™	POINTSOURCE Wireless™

TECHNICAL SPECIFICATION

PINPOINT™

POWER	
Type Consumption	Device is powered via pass-through POE <2W in normal use
NETWORK	
Connections	1 POE in (RJ45 socket) 2 POE out + Ethernet (RJ45 plug on flying lead) 3 Ethernet (RJ45 socket - crossover incorporated)
ETHERNET INTERFACE	
	10 Base-T or 100Base-TX
POE STANDARDS	
	Standard POE - IEEE 802.3af POE Plus - IEEE 802.3at and most non-standard POE up to 30 watts
LEDS	
POE Indicators	GREEN LED Indicates POE present
PHYSICAL/ENVIRONMENTAL	
Enclosure type Dimensions Flying lead Weight Operating Temperature Relative Humidity Compliance	Solid moulded unit L 65mm W 32mm H 20mm (plus 1000mm flying lead) Ethernet cable L 1000mm 58g [2.04 oz] -10°C to 70°C [14°F to 158°F] Up to 85%, non-condensing CE and FCC exempt, RoHS compliant
PRODUCT CODE	
VAD-PP VAD-PPW	PINPOINT IP Camera set-up adaptor PINPOINT Wireless IP Camera set-up adaptor with wireless network link
VAD-PSP VAD-PSW	POINTSOURCE Plus, Battery-powered POE injector POINTSOURCE Wireless, Battery powered POE injector with wireless network link



PINPOINT Wireless is also available, offering a wireless connection to a tablet or smartphone.



Veracity HQ
 Prestwick International Aerospace Park
 4 Dow Road
 Prestwick
 UK
 KA9 2TU
 Tel +44 (0) 1292 264967
 www.veracityglobal.com
 sales@veracityglobal.com

© Veracity UK Ltd 2019. All rights reserved. DV2.5EN
 Under no circumstances should this document be reproduced,
 distributed or changed, partially or wholly, without written,
 formal authorisation from Veracity UK Ltd.
 PINPOINT, PINPOINT Wireless, POINTSOURCE Plus,
 POINTSOURCE Wireless are trademarks of Veracity UK Ltd.

See www.veracityglobal.com website
 for country and region specific contacts.