

## DS-2TD2167T-7/P Thermographic Network Bullet Camera



Hikvision DS-2TD2167T-7/P Thermographic Network Bullet Camera can be applied to substations, hydropower stations, waste incineration plants, manufacturing workshops, etc. The accurate temperature measurement device sends temperature exception alarms for loss prevention.

### ▪ Key Feature

- 640 × 512 resolution, 17 μm, VOx UFPA, NETD < 35 mK (25°C, F# = 1.0)
- Temperature exception alarm for fire prevention, - 20 °C to 550 °C (- 4°F to 1022 °F), Max (± 2°C, ± 2%)
- Image processing technology: linear, histogram, self-adaptive thermal AGC mode, DDE, 3D DNR
- Fire detection algorithm

## ▪ Specification

| Thermal Module          |   |
|-------------------------|---|
| Image Sensor            | Vanadium Oxide Uncooled Focal Plane Arrays  |
| Resolution              | 640 × 512   |
| Pixel Pitch             | 17 μm   |
| Spectral Range          | 8 μm to 14 μm   |
| NETD                    | < 35 mk (25°C, F# = 1.0)  |
| Focal Length            | 6.5 mm  |
| IFOV                    | 2.62 mrad   |
| Field of View           | 88.5° × 73.2° (H × V)   |
| Min. Focusing Distance  | 0.6 m   |
| Aperture                | F1.0  |
| Digital Zoom            | × 2, × 4, × 8   |
| Image Effect            |   |
| Target Coloration       | Yes. Supported in white hot and black hot mode.   |
| Smart Function          |   |
| VCA                     | 4 VCA rule types (line crossing, intrusion, region entrance, and region exiting), up to 8 VCA rules in total.   |
| Temperature Measurement | 3 temperature measurement rule types, 21 rules in total (10 points, 10 areas, and 1 line).  |
| Temperature Range       | - 20°C to 550°C (- 4°F to 1022°F)   |
| Temperature Accuracy    | Max (± 2°C, ± 2%)   |
| Fire Detection          | Dynamic fire detection, up to 10 fire points detectable.  |
| Video and Audio         |   |
| Main Stream             | 25 fps (1280 × 720, 704 × 576, 640 × 512, 352 × 288)  |
| Sub-stream              | 25 fps (704 × 576, 640 × 512, 352 × 288)  |
| Third Stream            | 25 fps (1280 × 720, 704 × 576, 640 × 512, 352 × 288)  |
| Video Compression       | Main Stream: H.265/H.264<br>Sub-Stream: H.265/H.264/MJPEG<br>Third Stream: H.265/H.264/MJPEG  |
| Audio Compression       | G.722.1/G.711ulaw/G.711alaw/MP2L2/G.726/PCM   |
| Network                 |   |
| Protocols               | IPv4/IPv6, HTTP, HTTPS, 802.1x, QoS, FTP, SMTP, UPnP, SNMP, DNS, DDNS, NTP, RTSP, RTCP, RTP, TCP, UDP, IGMP, ICMP, DHCP, PPPoE, SSL                             |
| API                     | ISAPI, HIKVISION SDK, third-party management platform, ONVIF (Profile S, Profile G, Profile T)  |
| Security                | User authentication (ID and PW), MAC address binding, HTTPS encryption, IEEE 802.1x (EAP-MD5, EAP-TLS), access control, IP address filtering                    |
| Simultaneous Live View  | Up to 20 channels   |
| Client                  | iVMS-4200, Hik-Connect  |
| Web Browser             | Live view (plug-in allowed) : Internet Explorer 11<br>Live view (plug-in free) : Chrome 57.0 +, Firefox 52.0 +<br>Local service : Chrome 57.0 +, Firefox 52.0 + |
| Network Storage         | MicroSD/SDHC/SDXC card (up to 256 G) local storage, and NAS (NFS, SMB/CIFS), auto network replenishment (ANR)   |

|                              |  |
|------------------------------|--|
| User/Host level              | Up to 32 users, 3 levels: Administrator, Operator, User  |
| <b>Interface</b>             |  |
| Alarm Input                  | 2, alarm input (0 to 5 VDC)  |
| Alarm Output                 | 2, alarm output (alarm response actions configurable)  |
| Alarm Action                 | SD recording/Relay output/Smart capture/FTP upload/Email linkage   |
| Audio Input                  | 1, 3.5 mm Mic in/Line in interface<br>Line input: 2 to 2.4 V [p-p], output impedance: 1 K $\Omega$ $\pm$ 10%   |
| Audio Output                 | Linear level, impedance: 600 $\Omega$  |
| Communication Interface      | 1, RJ45 10 M/100 M self-adaptive Ethernet interface<br>1, RS-485 interface (half duplex)   |
| <b>General</b>               |  |
| Web Client Language          | 32 languages<br>English, Russian, Estonian, Bulgarian, Hungarian, Greek, German, Italian, Czech, Slovak, French, Polish, Dutch, Portuguese, Spanish, Romanian, Danish, Swedish, Norwegian, Finnish, Croatian, Slovenian, Serbian, Turkish, Korean, Traditional Chinese, Thai, Vietnamese, Japanese, Latvian, Lithuanian, Portuguese (Brazil) |
| Power Supply                 | 24 VAC $\pm$ 25%, 12 VDC $\pm$ 25%, 24 VDC, two-core terminal block<br>PoE (802.3af, class 3)  |
| Power Consumption            | 18 VAC to 30 VAC: 0.13 A to 0.22 A, Max 5 W<br>9 VDC to 15 VDC: 0.37 A to 0.61 A, Max 5 W<br>24 VDC: 0.21 A, max 5 W<br>PoE (802.3af, class 3): 44 V to 57 V: 0.1 A to 0.13 A, Max 5.5 W   |
| Working Temperature/Humidity | Temperature: - 40 $^{\circ}$ C to 65 $^{\circ}$ C (- 40 $^{\circ}$ F to 149 $^{\circ}$ F)<br>Humidity: 90% or less   |
| Protection Level             | IP66 Standard<br>TVS 6000V lightning protection, surge protection, voltage transient protection, Ik10 rated housing  |
| Dimensions                   | 351.3 mm $\times$ 113.5 mm $\times$ 115.2 mm (13.83" $\times$ 4.47" $\times$ 4.53")  |
| Weight                       | Approx. 1.77 kg (3.90 lb)  |

## DRI Range Table

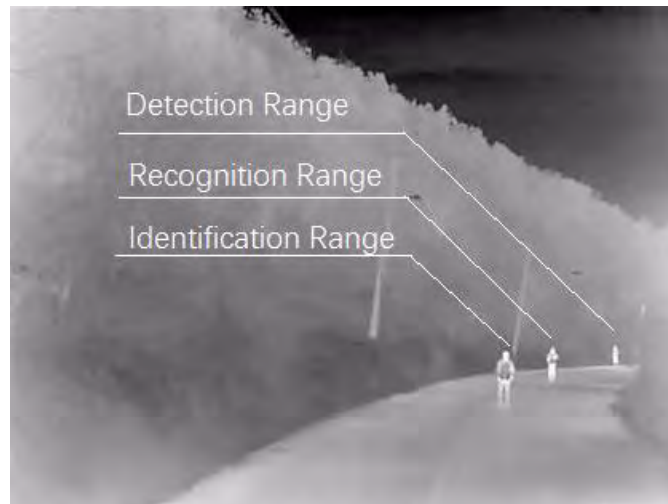
\* The table is only for reference and the performance may vary according to different environment.

\* The optimal human detection, recognition, and identification distances are calculated according to Johnson's Criteria.

Detection Range: In order to distinguish an object from the background, the object must be covered by 1.5 or more pixels.

Recognition Range: In order to classify the object (animal, human, vehicle, etc.), the object must be covered by 6 or more pixels.

Identification Range: In order to identify the object and describe it in details, the object must be covered by 12 or more pixels.



| Detection Range<br>(Vehicles: 1.4 × 4.0 m) | Detection Range<br>(Humans: 1.8 × 0.5 m) | Recognition Range (Vehicles: 1.4 × 4.0 m) | Recognition Range (Humans: 1.8 × 0.5 m) | Identification Range (Vehicles: 1.4 × 4.0 m) | Identification Range (Humans: 1.8 × 0.5 m) |
|--|--|---|---|--|--|
| 631 m                                      | 206 m                                    | 158 m                                     | 51 m                                    | 79 m   | 26 m                                       |

## Smart Function Table

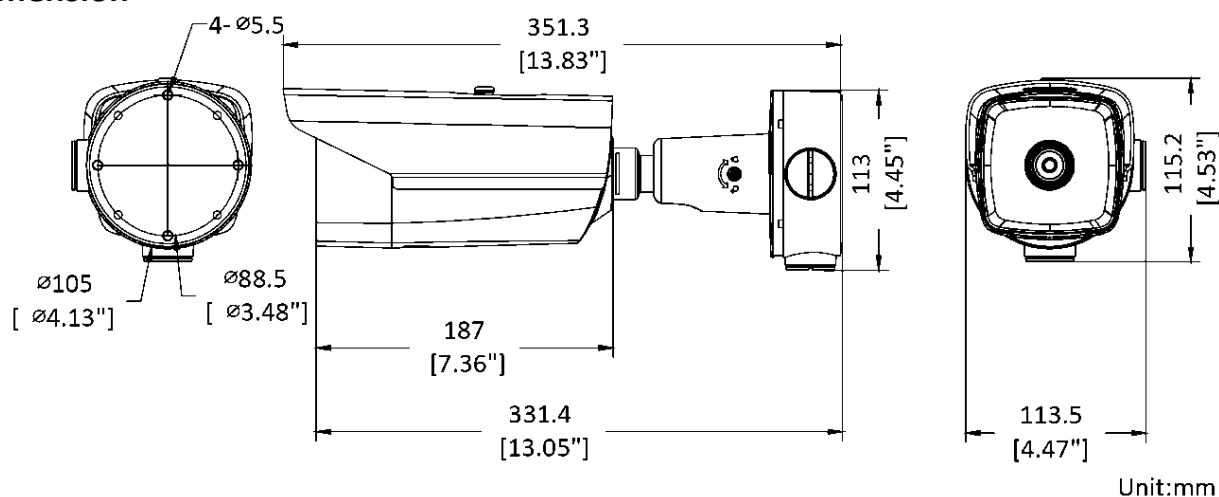
\* The table is only for reference and the performance may vary according to different environment.

| VCA Range<br>(Vehicles: 1.4 × 4.0 m) | VCA Range<br>(Humans: 1.8 × 0.5 m) | Temperature Measurement (Object: 2 × 2 m) | Temperature Measurement (Object: 1 × 1 m) | Fire Detection (Object: 0.2 × 0.2 m) |
|--------------------------------------|------------------------------------|---|---|--------------------------------------|
| 134 m                                | 48 m                               | 164 m                                     | 83 m                                      | 70 m                                 |

### ▪ Available Model

DS-2TD2167T-7/P

▪ **Dimension**



▪ **Accessory**

▪ **Included**



DS-1260ZJ  
Junction Box

▪ **Optional**



DS-1275ZJ-S-SUS  
Vertical Pole Mount



DS-1276ZJ-SUS  
Corner Mount

**COMPLIANCE NOTICE:** The thermal series products might be subject to export controls in various countries or regions, including without limitation, the United States, European Union, United Kingdom and/or other member countries of the Wassenaar Arrangement. Please consult your professional legal or compliance expert or local government authorities for any necessary export license requirements if you intend to transfer, export, re-export the thermal series products between different countries.

**Headquarters**

No.555 Qianmo Road, Binjiang District,  
Hangzhou 310051, China  
T +86-571-8807-5998  
www.hikvision.com



Follow us on social media to get the latest product and solution information.

