

DS-2CD6425G1-L30

2 MP Separated Network Camera Lens



- High quality imaging with 2 MP resolution
- Separated and small lens for easy installation
- Clear imaging against strong back light due to 120 dB WDR technology

▪ Specification

Camera	
Image Sensor	1/2.7" Progressive Scan CMOS
Max. Resolution	1920 × 1080
Min. Illumination	Color: 0.005 Lux @ (F1.2, AGC ON)
Lens	
Focal Length & FOV	L30 model: 2.8 mm, horizontal FOV 109.0°, vertical FOV 60.0°, diagonal FOV 128.3° 4 mm, horizontal FOV 82.8°, vertical FOV 45.1°, diagonal FOV 98°
Lens Mount	L30: M12
Iris Type	Fixed
Aperture	F2.0
DORI	
DORI	L30: 2.8 mm: D: 41 m, O: 16 m, R: 8 m, I: 4 m 4 mm: D: 55.2 m, O: 21.9 m, R: 11 m, I: 5.5 m
Image	
Wide Dynamic Range (WDR)	120 dB
General	
Material	Main body: Zinc Alloy+Aluminum Alloy
Dimension	∅26 mm × 50.8 mm (∅1.024" × 2")
Package Dimension	219 mm × 139 mm × 100 mm (8.6" × 5.5" × 3.9")
Weight	Approx. 55 g (0.12 lb.)
With Package Weight	2 m cable: 451 g (0.99 lb); 8 m cable: 676 g (1.49 lb)
Storage Conditions	-30 °C to 60 °C (-22 °F to 140 °F). Humidity 95% or less (non-condensing)
Startup and Operating Conditions	-30 °C to 60 °C (-22 °F to 140 °F). Humidity 95% or less (non-condensing)
Length of Lens Cable	2 and 8 m (6.6 and 26.2 ft.)

▪ Typical Application

Hikvision products are classified into three levels according to their anti-corrosion performance. Refer to the following description to choose for your using environment.

This model has NO SPECIFIC PROTECTION.

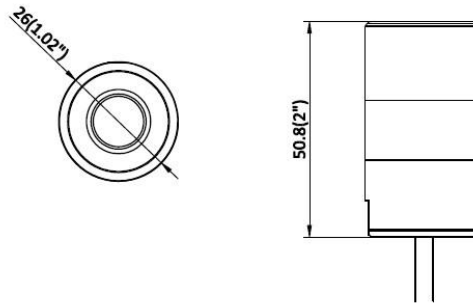
Level	Description
Top-level protection	Hikvision products at this level are equipped for use in areas where professional anti-corrosion protection is a must. Typical application scenarios include coastlines, docks, chemical plants, and more.
Moderate protection	Hikvision products at this level are equipped for use in areas with moderate anti-corrosion demands. Typical application scenarios include coastal areas about 2 kilometers (1.24 miles) away from coastlines, as well as areas affected by acid rain.
No specific protection	Hikvision products at this level are equipped for use in areas where no specific anti-corrosion protection is needed.

▪ **Available Model**

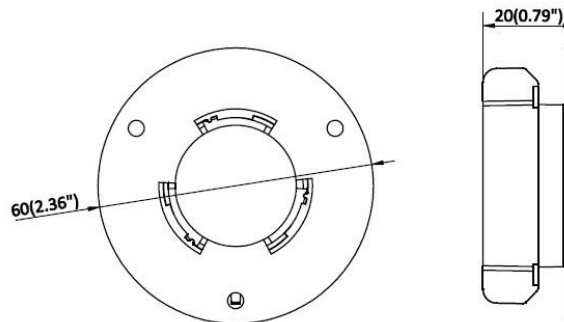
- DS-2CD6425G1-L30(2.8mm)2m
- DS-2CD6425G1-L30(2.8mm)8m
- DS-2CD6425G1-L30(4mm)2m
- DS-2CD6425G1-L30(4mm)8m

▪ **Dimension**

L30 camera lens



Circular bracket



Unit: mm(inch)

▪ **Accessory**

▪ **Optional**

DS-2CD6425G2-C2 Separated Network Camera	DS-2CD6425G2-C1 Separated Network Camera

Headquarters

No.555 Qianmo Road, Binjiang District,
Hangzhou 310051, China
T +86-571-8807-5998
www.hikvision.com



Follow us on social media to get the latest product and solution information.

