

# H6SL CAMERA LINE

2 MP

3 MP

5 MP

Versatility meets high-performance in the analytics-enabled Avigilon H6SL Camera Line. Available as a bullet or dome form factor, these cameras can fit into an extensive range of indoor and outdoor applications in education, commercial, government, retail and hospitality sectors for optimal protection of people and property. It comes equipped with Next-Generation Video Analytics to proactively detect critical events and provide you with superior situational awareness of your site. Even in challenging lighting conditions, the H6SL empowers you to see your site with sharp and clear images.



## FEATURES



### NEXT-GENERATION VIDEO ANALYTICS

Detects more objects with expanded object classifications and greater accuracy for faster responses, even in crowded scenes.



### ADAPTIVE IR OPTIONS

Maximizes image quality in low-light or no-light areas.



### WIDE DYNAMIC RANGE

Captures clear details in scenes with both very bright and dark areas.



### ONVIF® COMPLIANT

ONVIF Profile S and T compliance enables easy integration with existing ONVIF infrastructures. Profile G compliance supports search, playback and retrieval of recordings on the edge, while Profile M allows for cross-functionality with third-party analytic solutions.



### IMPACT, WATER, DUST & CORROSION PROTECTION

Protects against impact, water, windblown dust and a degree of corrosion with IK10, IP66/67 and NEMA Type 4X ratings.<sup>1</sup>



### LONG-RANGE LENS & MICROPHONE OPTIONS

Offers long-range lens options for optimal site coverage. Provides the option to add a microphone accessory on the indoor dome variant for greater evidentiary detail.



### QUICK & EASY INSTALLATION

The camera's modular design allows it to snap into various indoor mounting options for fast and easy installations.



### FIPS 140-2 CRYPTOGRAPHY WITH INTEGRATED TPM & SECURE BOOT

Brings increased data security with FIPS-compliant encryption enabled on cameras<sup>2</sup>, an onboard TPM<sup>3</sup> to secure cryptographic keys and Secure Boot.

<sup>1</sup> IK10 rating available on all models; IP66/67 and NEMA 250 Type 4X rating available on outdoor models only.

<sup>2</sup> Optional purchase of FIPS Level 1 camera license (CAM-FIPS).

<sup>3</sup> FIPS 140-2 Level 3-compliant trusted platform module (TPM).

ONVIF is a trademark of Onvif, Inc.

# SPECIFICATIONS

| IMAGE PERFORMANCE                  |                  | 2.0 MP   | 3.0 MP   | 5.0 MP   |
|------------------------------------|------------------|--|--|--|
| Image Sensor                       |                  | 1/2.8" progressive scan CMOS   |  |  |
| Imaging Area (H x V)               |                  | 5.57 mm x 3.13 mm<br>0.219" x 0.123"   | 5.18 mm x 3.89 mm<br>0.204" x 0.153"   |  |
| Aspect Ratio                       |                  | 16 x 9   | 4 x 3  |  |
| Dynamic Range                      | WDR Off          | 83 dB  |  |  |
|                                    | WDR On           | 126 dB   | 130 dB   |  |
| Camera Operating Mode              |                  | N/A  | N/A  | Full Feature/High Framerate  |
| Max Frame Rate                     |                  | (50 Hz/60 Hz): 50 fps/60 fps   | (50 Hz/60 Hz): 25 fps/30 fps   |  |
| Streaming Resolutions <sup>1</sup> | Primary Stream   | 1920 x 1080, 1440 x 1080   | 2048 x 1152, 1920 x 1080,<br>2048 x 1536, 1792 x 1344  | 2560 x 1440, 1920 x 1080,<br>2592 x 1944, 2240 x 1680  |
|                                    | Secondary Stream | 1920 x 1080, 1280 x 720, 768 x 432,<br>640 x 360, 512 x 288, 1440 x 1080,<br>1280 x 960, 960 x 720, 800 x 600,<br>640 x 480, 384 x 288 | 1760 x 1320, 1600 x 1200, 960 x 720,<br>1600 x 1200, 1280 x 960, 960 x 720,<br>640 x 480, 512 x 384, 384 x 288 | 1920 x 1080, 1280 x 720, 768 x 432,<br>640 x 360, 512 x 288, 1600 x 1200,<br>1440 x 1080, 1280 x 960, 800 x 600,<br>640 x 480, 512 x 384, 384 x 288, 368 x 264 |
|                                    | Tertiary Stream  | 640 x 360, 512 x 384   | 640 x 360, 640 x 480   | 640 x 360, 512 x 384   |
| Bandwidth Management               |                  | HDSM SmartCodec technology; Idle scene mode  |  |  |
| 3D Noise Reduction Filter          |                  | Supported  |  |  |

<sup>1</sup> Available stream options may vary based on the combination of resolution and frame-rates selected for the individual streams, as well as the camera operating mode.

| LENS AND IR ILLUMINATION                              |                        | 3.4-10.5 MM (DOME/BULLET)  | 10.9-29 MM (BULLET ONLY)                             |
|---|------------------------|--|--|
| IR Illumination Max Distance (high power 850 nm LEDs) | Dome                   | 30 m (100 ft), full tele<br>20 m (65 ft), full wide  | N/A  |
|   | Bullet 2.0 MP          | 50 m (164 ft), full tele<br>30 m (100 ft), full wide   | N/A  |
|   | Bullet 3.0 MP / 5.0 MP | 40 m (131 ft), full tele<br>20 m (65 ft), full wide  | 70 m (230 ft), full tele<br>30 m (100 ft), full wide |
| Minimum Illumination (at 33 ms shutter speed)         | 2.0 MP                 | With IR: 0 lux in monochrome mode<br>Without IR: 0.01 lux in color mode;<br>0.005 lux in monochrome mode | N/A  |
|   | 3.0 MP / 5.0 MP        | With IR: 0 lux in monochrome mode<br>Without IR: 0.04 lux in color mode;<br>0.02 lux in monochrome mode  |  |
| Horizontal Angle of View                              | 2.0 MP                 | 101° - 31°   | N/A  |
|   | 3.0 MP / 5.0 MP        | 95° - 28°  | 28° - 10°  |
| Vertical Angle of View                                | 2.0 MP                 | 53° - 17°  | N/A  |
|   | 3.0 MP / 5.0 MP        | 69° - 21°  | 21° - 7°   |
| Max Aperture  |                        | F1.6   | F1.7   |
| Lens Control  |                        | Remote Zoom and Focus, Autofocus, IR Cut Filter  |  |

| IMAGE CONTROL              |   |
|----------------------------|---|
| Image Compression Method   | H.264 HDSM SmartCodec, H.265 HDSM SmartCodec, Motion JPEG |
| Streaming                  | Multi-stream H.264, Multi-stream H.265, Motion JPEG       |
| Electronic Shutter Control | Automatic, Manual (1/7.5 to 1/30000 sec)                  |
| Day/Night Control          | Automatic, Manual   |

## IMAGE CONTROL

|                        |                   |
|------------------------|-------------------|
| Flicker Control        | 50 Hz, 60 Hz      |
| Iris Control           | P-Iris            |
| White Balance          | Automatic, Manual |
| Backlight Compensation | Adjustable        |
| Privacy Zones          | Up to 64 zones    |

## NETWORK

|                             |   |
|-----------------------------|---|
| Network                     | 100BASE-TX  |
| Cabling Type                | CAT5  |
| Network                     | RJ45 Connector  |
| ONVIF                       | ONVIF® compliance Profile S, Profile T, Profile G, and Profile M ( <a href="http://www.onvif.org">www.onvif.org</a> )   |
| Security                    | Password protection, HTTPS encryption, digest authentication, WS authentication, user access log, 802.1x port based authentication, FIPS 140-2 L1 (with optional camera license), onboard FIPS 140-2 L3 certified TPM |
| Protocols                   | IPv6, IPv4, HTTP, HTTPS, SOAP, DNS, NTP, RTSP, RTCP, RTP, TCP, UDP, IGMP, ICMP, DHCP, Zeroconf, ARP, HSTS   |
| Streaming Protocols         | RTP/UDP, RTP/UDP multicast, RTP/RTSP/TCP, RTP/RTSP/HTTP/TCP, RTP/RTSP/HTTPS/TCP, HTTP   |
| Device Management Protocols | SNMP v2c, SNMP v3   |

## PERIPHERALS

|                 |  |
|-----------------|--|
| Onboard Storage | microSD/microSDHC/microSDXC slot – video speed class card required. Class V10 or better recommended. 1 TB card tested. |
| USB Port        | USB 2.0  |

## AUXILIARY I/O

|                          |   |
|--------------------------|---|
| Audio Compression Method | G.711 PCM 8 kHz, Opus   |
| Audio Input/Output       | Line level I/O  |
| External I/O Terminals   | Alarm In, Alarm Out   |
| Microphone (Indoor Dome) | Optional Microphone accessory sold separately for Indoor Dome Camera only |

| MECHANICAL (DOME)      | SURFACE MOUNT  | IN-CEILING MOUNT                        | PENDANT MOUNT                           |
|------------------------|--|---|---|
| Dimensions             | D 156 mm × H 116 mm;<br>D 6.1" × H 4.6"                                    | D 174 mm × H 165 mm;<br>D 6.9" × H 6.5" | D 156 mm × H 161 mm;<br>D 6.2" × H 6.3" |
| Weight                 | 0.81 kg  | 0.80 kg                                 | 1.07 kg                                 |
| Max. Ceiling Thickness | N/A  | 25 mm (1.0")                            | N/A                                     |
| Dome Bubble            | Polycarbonate  |   |   |
| Body                   | Polycarbonate  |   |   |
| Housing                | Polycarbonate  |   |   |
| Finish                 | Plastic, injection molded, Pantone 427C                                    |   |   |
| Adjustment Range       | 360° pan, 30°–95° tilt (recommended), 8°–95° tilt (maximum), ±180° azimuth |   |   |

| MECHANICAL (BULLET)    | 3.4-10.5 MM  | 10.9-29 MM |
|------------------------|--|------------|
| Dimensions (L x W x H) | Camera with junction box<br>296 mm × 126 mm × 106 mm;<br>11.7" × 5.0" × 4.2" |            |
| Weight                 | 1.31 kg (1.78 kg with junction box)  |            |
| Body                   | Aluminum   |            |
| Housing                | Aluminum   |            |
| Finish                 | Powder coat, close to Pantone 427C   |            |
| Adjustment Range       | ±175° pan, ±90° tilt, ±175° azimuth  |            |

**ELECTRICAL**

|                          |   |   |
|--------------------------|---|---|
| Power Source             | PoE: IEEE 802.3af Class 3 compliant, 12VDC Aux (Available on Bullet only) |   |
| IR Illuminator Behaviour | Dome  | IR illuminator will turn off if the temperature is 60°C (140°F) or higher. The illuminator will operate at 50% power if the temperature is between 40°C (104°F) and 52 °C (117°F). Hysteresis: 2°C (3.6°F). |
|                          | Bullet  | IR illuminator will turn off if the temperature is 60°C (140°F) or higher.  |
| RTC Battery Backup       | 3V manganese lithium  |   |
| PoE                      | Dome  | 10 W max (8 W with no IR or IR disabled)  |
|                          | Bullet  | 13 W max  |
| Memory                   | 1GB RAM, 512MB Flash  |   |

**ENVIRONMENTAL****INDOOR DOME****OUTDOOR DOME****BULLET**

|                              |  |                                 |                                 |
|------------------------------|--|---------------------------------|---------------------------------|
| Operating Temperature        | -10°C to +60°C (14°F to 140°F)                           | -40°C to +60°C (-40°F to 140°F) | -40°C to +60°C (-40°F to 140°F) |
| Storage Temperature          | -10°C to +70°C (14°F to 158°F)                           |                                 |                                 |
| Absolute Maximum Temperature | 74°C (165°F) per NEMA TS2 (Temp.) para 2.2.7.2 - 2.2.7.7 |                                 |                                 |
| Humidity                     | 0 - 95% non-condensing                                   |                                 |                                 |

**CERTIFICATIONS****INDOOR DOME****OUTDOOR DOME****BULLET**

|                           |  |   |   |
|---------------------------|--|---|---|
| Certifications/Approvals  | UL, cUL, CE, UKCA, ROHS, RCM, NOM, KC, BIS   |   |   |
| Safety                    | UL/CSA/EN/IEC 62368-1, IEC 62471   |   |   |
| Environmental             | IEC/EN 62262 Impact (IK 10), IEC 60529 IP52 rating   | IEC/EN 62262 (IK 10), IEC 60529 IP66, IP67 rating, Type 4X, IEC 60068-2-1, IEC 60068-2-2, IEC 60068-2-6, IEC 60068-2-14, IEC 60068-2-27 | IEC/EN 62262 (IK 10), IEC 60529 IP66, IP67 rating, Type 4X, IEC 60068-2-1, IEC 60068-2-2, IEC 60068-2-6, IEC 60068-2-14, IEC 60068-2-27 |
| Electromagnetic Emissions | FCC Part 15 Subpart B (Class B), IC ICES-003 (Class B), EN 55032 (Class B), EN 61000-6-3, EN 61000-3-2, EN 61000-3-3 |   |   |
| Electromagnetic Immunity  | EN 55035, EN 61000-6-1, EN 50130-4, EN 50121-4   |   |   |

# ANALYTICS SPECIFICATIONS

## SUPPORTED ANALYTICS EVENTS

|                               |  |
|-------------------------------|--|
| Objects in Area               | The event is triggered when the selected object type moves into the region of interest.  |
| Object Loitering              | The event is triggered when the selected object type moves into the region of interest and then stays for an extended amount of time.  |
| Objects Crossing Beam         | The event is triggered when the specified number of objects have crossed the directional beam that is configured over the camera's field of view. The beam can be unidirectional or bidirectional. |
| Object Appears or Enters Area | The event is triggered by each object that enters the region of interest. This event can be used to count objects.   |
| Object Not Present in Area    | The event is triggered when no objects are present in the region of interest.  |
| Objects Enter Area            | The event is triggered when the specified number of objects have entered the region of interest.   |
| Objects Leave Area            | The event is triggered when the specified number of objects have left the region of interest.  |
| Object Stops in Area          | The event is triggered when an object moves into a region of interest and then stops moving for the specified threshold time.  |
| Direction Violated            | The event is triggered when an object moves in the prohibited direction of travel.   |
| Tamper Detection              | The event is triggered when the scene unexpectedly changes.  |

## SUPPORTED CLASSIFIED OBJECT TYPES

|                              |  |
|------------------------------|--|
| Object Types in Outdoor Mode | Vehicle, sub-types: Car, Truck, Bicycle, Motorcycle, Bus<br>Person |
| Object Types in Indoor Mode  | Person   |

## TEACH BY EXAMPLE

|                  |  |
|------------------|--|
| Teach By Example | Yes, when used with Avigilon Control Center™ |
|------------------|--|

## AVIGILON CONTROL CENTER (ACC) VERSIONS SUPPORTED FEATURES

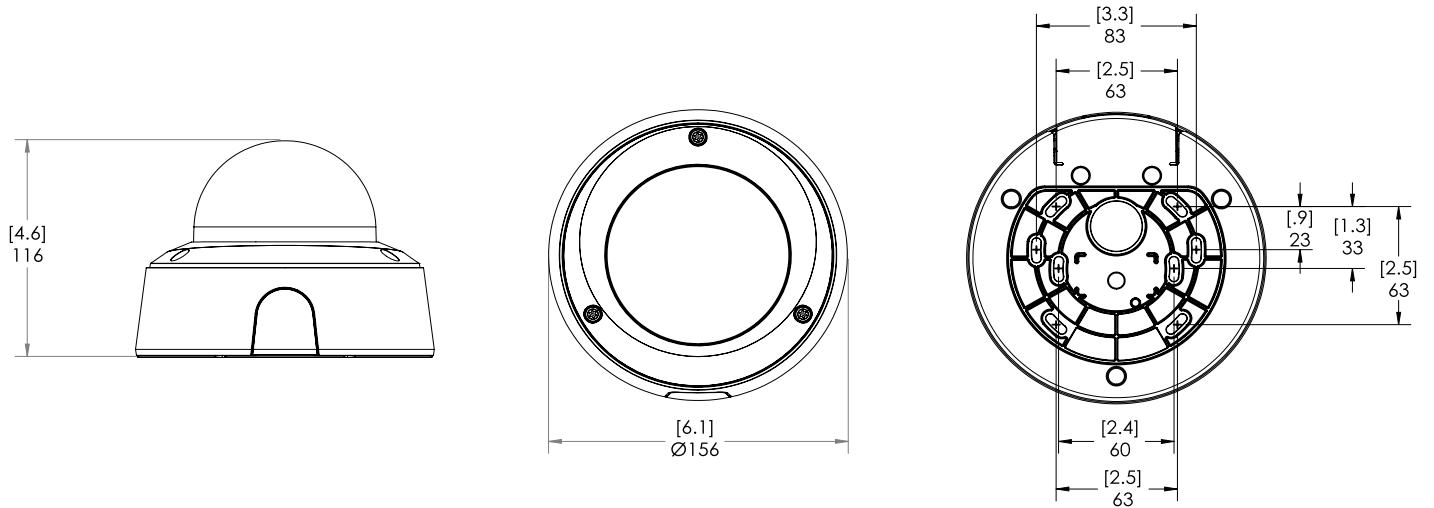
|   |   |
|---|---|
| ACC Enterprise Edition<br>Version 6.14.12 or higher | All supported analytic events with two types of classified objects: person or vehicle.                  |
| ACC Enterprise Edition<br>Version 7.2 or higher     | All supported analytic events with people and vehicles and all vehicle sub-types as classified objects. |

Analytic capabilities on the H6SL Camera Line include Unusual Activity Detection, Classified Object Detection and Advanced Analytic Event configurations (e.g. Objects in Area). Appearance Search, Face Recognition, and other ACC server analytics are not available for use with the H6SL Camera Line.

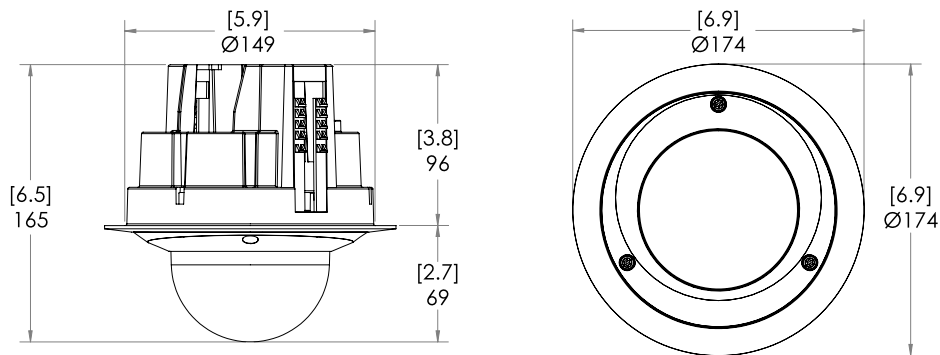
# OUTLINE DIMENSIONS

## DOME CAMERA WITH SURFACE MOUNT

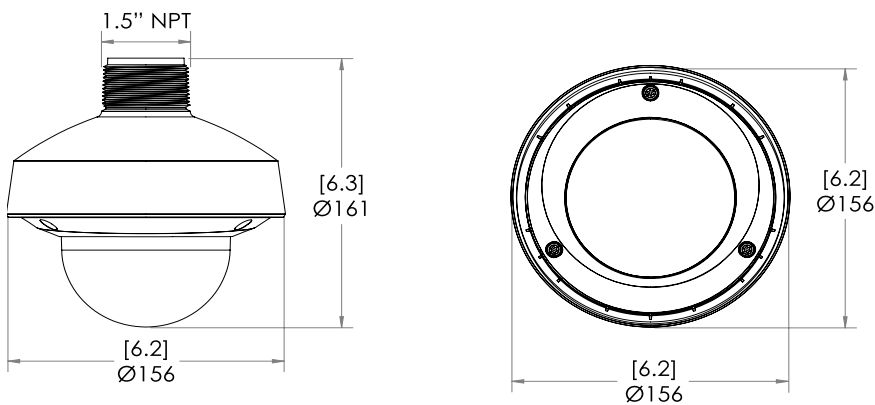
| [X.X] | INCHES |
|-------|--------|
| X     | MM     |



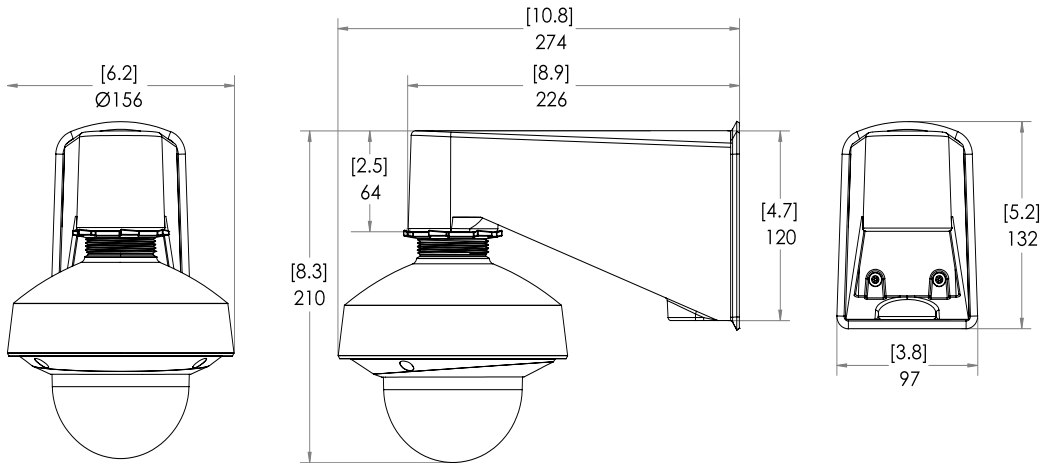
## DOME CAMERA WITH IN-CEILING MOUNT



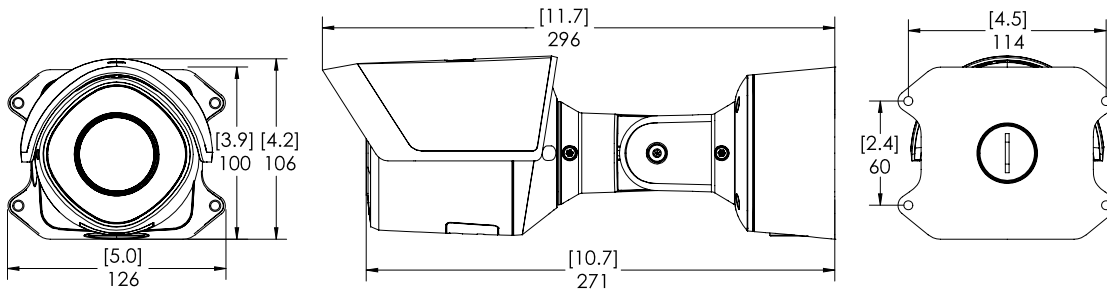
## DOME CAMERA WITH NPT ADAPTER



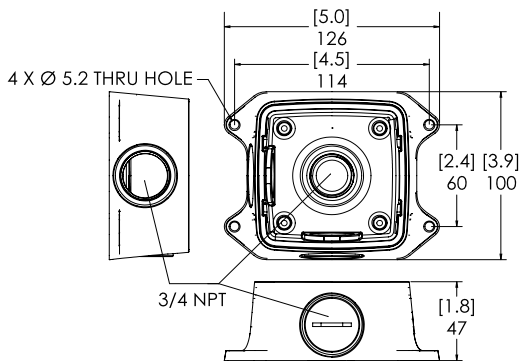
## DOME CAMERA WITH NPT ADAPTER AND PENDANT WALL MOUNT (CM-MT-WALL1)



## BULLET CAMERA



## BULLET JUNCTION BOX



# ORDERING INFORMATION

## BULLET CAMERA

| MODEL NUMBER     | MP  | WDR | ANALYTICS | LENS        | IR | IP66/IP67,<br>TYPE4X | SMARTCODEC | LIGHTCATCHER<br>TECHNOLOGY |
|------------------|-----|-----|-----------|-------------|----|----------------------|------------|----------------------------|
| 2.0C-H6SL-B01-IR | 2.0 | ✓   | ✓         | 3.4-10.5 mm | ✓  | ✓                    | ✓          | ✓                          |
| 3.0C-H6SL-B01-IR | 3.0 | ✓   | ✓         | 3.4-10.5 mm | ✓  | ✓                    | ✓          | ✓                          |
| 3.0C-H6SL-B02-IR | 3.0 | ✓   | ✓         | 10.9-29 mm  | ✓  | ✓                    | ✓          | ✓                          |
| 5.0C-H6SL-B01-IR | 5.0 | ✓   | ✓         | 3.4-10.5 mm | ✓  | ✓                    | ✓          | ✓                          |
| 5.0C-H6SL-B02-IR | 5.0 | ✓   | ✓         | 10.9-29 mm  | ✓  | ✓                    | ✓          | ✓                          |

## DOME CAMERA

| MODEL NUMBER     | MP  | WDR | ANALYTICS | LENS        | IR | IP66/IP67,<br>TYPE4X | SMARTCODEC | LIGHTCATCHER<br>TECHNOLOGY |
|------------------|-----|-----|-----------|-------------|----|----------------------|------------|----------------------------|
| 2.0C-H6SL-D1     | 2.0 | ✓   | ✓         | 3.4-10.5 mm |    |                      | ✓          | ✓                          |
| 2.0C-H6SL-D1-IR  | 2.0 | ✓   | ✓         | 3.4-10.5 mm | ✓  |                      | ✓          | ✓                          |
| 2.0C-H6SL-D01-IR | 2.0 | ✓   | ✓         | 3.4-10.5 mm | ✓  | ✓                    | ✓          | ✓                          |
| 3.0C-H6SL-D1     | 3.0 | ✓   | ✓         | 3.4-10.5 mm |    |                      | ✓          | ✓                          |
| 3.0C-H6SL-D1-IR  | 3.0 | ✓   | ✓         | 3.4-10.5 mm | ✓  |                      | ✓          | ✓                          |
| 3.0C-H6SL-D01-IR | 3.0 | ✓   | ✓         | 3.4-10.5 mm | ✓  | ✓                    | ✓          | ✓                          |
| 5.0C-H6SL-D1     | 5.0 | ✓   | ✓         | 3.4-10.5 mm |    |                      | ✓          | ✓                          |
| 5.0C-H6SL-D1-IR  | 5.0 | ✓   | ✓         | 3.4-10.5 mm | ✓  |                      | ✓          | ✓                          |
| 5.0C-H6SL-D01-IR | 5.0 | ✓   | ✓         | 3.4-10.5 mm | ✓  | ✓                    | ✓          | ✓                          |



## ACCESSORIES

| PART NUMBER     | DESCRIPTION  |
|-----------------|--|
| CM-MT-WALL1     | Wall Mount Arm for 1.5" NPT Pendant                      |
| PLMT-1001       | Pole Mount Adapter for CM-MT-WALL1                       |
| CRNMT-1001      | Corner Mount for CM-MT-WALL1                             |
| USB-AC56-NA-MSI | USB WiFi Adapter Install Kit (North America)             |
| USB-AC56-EU-MSI | USB WiFi Adapter Install Kit (Europe)                    |
| SLSPCIL-1001    | In-ceiling mounting adapter for H6SL Dome Camera         |
| H6SL-MT-NPTA1   | Pendant NPT adapter for H6SL Dome Camera                 |
| DCLPNL-1001     | Metal ceiling panel for suspended ceiling installations  |
| H6SL-DO-SHLD1   | Weathershield for H6SL Dome Camera                       |
| ACMICR-1001     | Microphone accessory for Indoor H6SL Dome Camera         |
| H6SL-DD-CLER1   | Clear lower dome for H6SL Outdoor Dome Camera            |
| H6SL-DD-SMOK1   | Smoked lower dome for H6SL Outdoor Dome Camera           |
| H6SL-DI-CLER1   | Clear lower dome for H6SL Indoor Dome Camera             |
| H6SL-DI-SMOK1   | Smoked lower dome for H6SL Indoor Dome Camera            |
| CNCVR-1001      | Adapter 3/4 inch conduit for H6SL Dome Camera, 5-pack    |
| CAM-FIPS        | Camera license to enable FIPS Level 1 cryptographic mode |



AVIGILON™

Apr 2023 | Rev 2

© 2023, Motorola Solutions, Inc. All rights reserved. MOTOROLA, MOTO, MOTOROLA SOLUTIONS, and the Stylized M Logo are trademarks or registered trademarks of Motorola Trademark Holdings, LLC and are used under license.

sales@avigilon.com | [avigilon.com](https://www.avigilon.com)